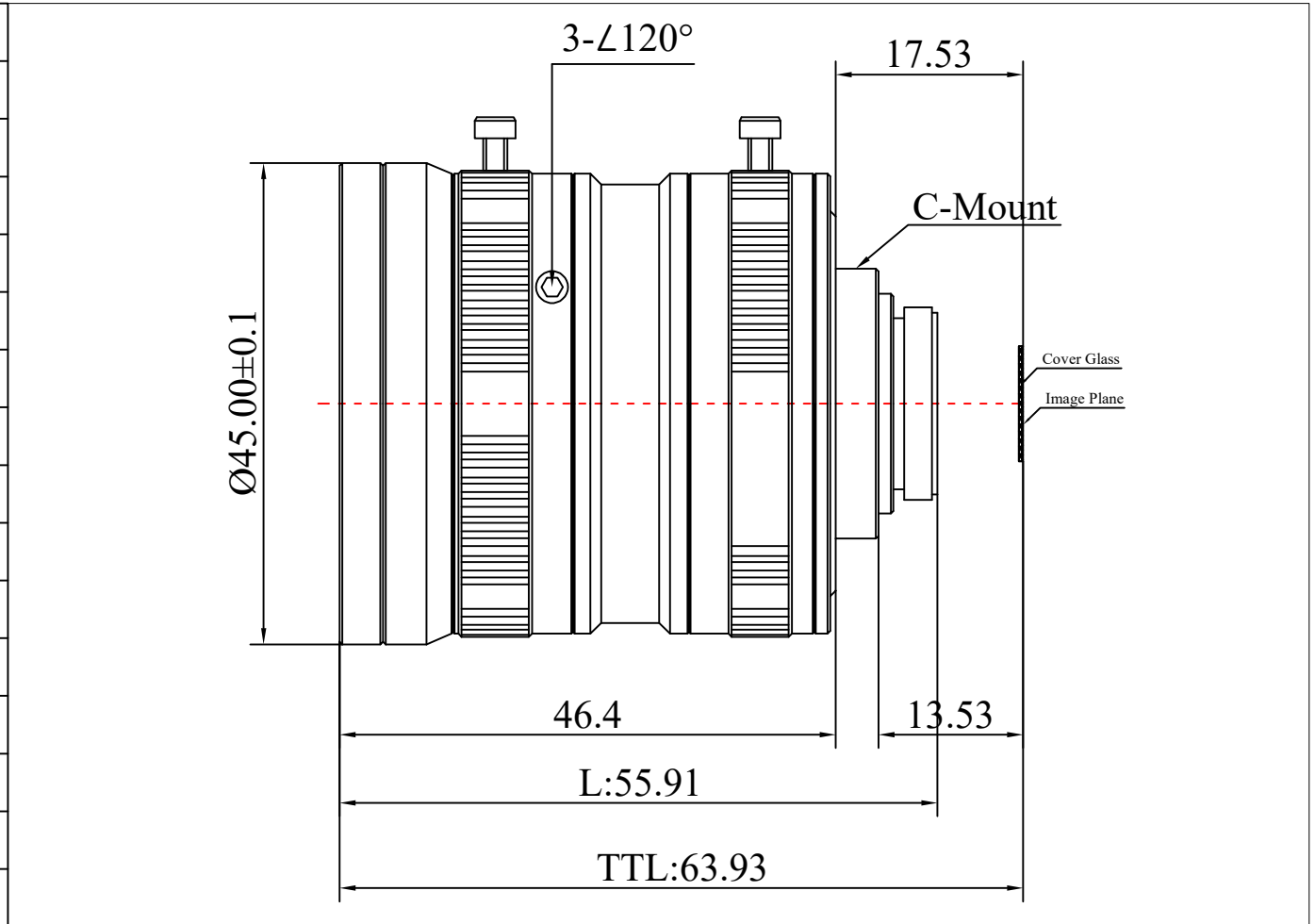
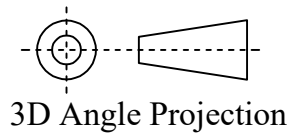


# PRODUCT: KM-FA5M06C

1	Type	Machine vision Lens	
2	EFL	6mm	
3	F.NO	F1.4~16	
4	Resolution	5MP	
5	Image Format	2/3"	
6	BFL (M)	13.53	
7	BFL (O)	17.53	
8	F.O.V (H*V)	2/3"	H*V:73.5°*57.6°
9		1/1.8"	H*V:55°*42°
10		1/3"	H*V:42°*31°
11	TV Distortion	<1%	
12	M.O.D	0.1m	
13	Mount Type	C/CS	
14	Dimension Figure	φ45.0*L55.91	
15	Filter Size	Non	
16	Weight	180g	
17	Iris Operation	Manual	Scale
18	Zoom Operation	Fixed	
19	Focus Operation	Manual	1.5 : 1
20	Operating Temperature	-20° +85°	Units
21	Storage Temperature	-20° +85°	
		mm	Angle



Scale	Remark	Tolerances	Date	Revised		SHENZHEN HIFLY TECHNOLOGY CO., LTD
1.5 : 1	X	±0.2	2021-06-18	KM-FA5M06C		
	X.0	±0.15				
Units	X.00	±0.10	Design	Jacky	2019-08-10	
	X.000	±0.001	Checked	Ivy	2019-09-07	
mm	Angle	±0.5°	Approval	James	2019-10-28	



3D Angle Projection