



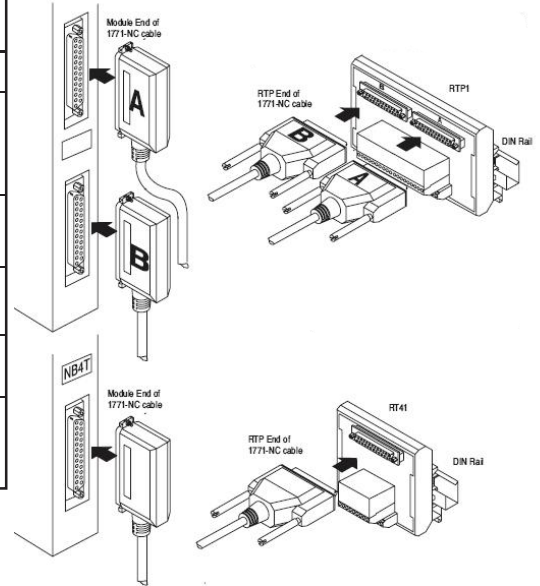
1771-N Series I/O to 1756 ControlLogix I/O (Cat 1492-CONACAB020N* and 1492-CONACAB050N*)

I. Description of the Existing 1771-N Series I/O Wiring System

The 1771-N Series High Resolution Isolated Analog I/O modules were designed to be used with 1771 Remote Termination Panels (RTPs) and connected by a 6ft or 15ft cable, as follows.
 Catalog Number: 1771-NC6 (6 ft) or 1771-NC15 (15 ft) cables.
 Variations of remote termination panels are used, depending on the type of module used. These are:

Catalog Number	Description
1771-RTP1	has cold junction compensation for thermocouples
1771-RTP3	incorporates resistors and fuses; used primarily for 4 - 20mA inputs when using $\pm 5V$ inputs (Uses 5mm x 20mm fast acting 1/4A fuses such as Bussmann GMA-1/4, 250V / 250mA)
1771-RTP4	a general use block with straight-thru wiring that can be used for all applications except thermocouples
1771-RT41	a 4-channel block with cold junction compensation for thermocouples
1771-RT44	a general use 4-channel block with straight-thru wiring that can be used for all applications except thermocouples
RTP4 and RT44 can be used with thermocouples if a method of odd junction compensation is provided at the interface of thermocouple and copper wires within the system	

The remote termination panels are designed for mounting on standard DIN 1 or DIN 3 mounting rails.



Module	Channel 1	Channel 2	Channel 3	Channel 4	Channel 5	Channel 6	Channel 7	Channel 8
1771-NIS	4 - 20mA	4 - 20mA	4 - 20mA	4 - 20mA	4 - 20mA	4 - 20mA	4 - 20mA	4 - 20mA
1771-NIV	$\pm 5V (\pm 20mA)$	$\pm 5V (\pm 20mA)$	$\pm 5V (\pm 20mA)$	$\pm 5V (\pm 20mA)$	$\pm 5V (\pm 20mA)$	$\pm 5V (\pm 20mA)$	$\pm 5V (\pm 20mA)$	$\pm 5V (\pm 20mA)$
1771-NIV1	$\pm 10V$	$\pm 10V$	$\pm 10V$	$\pm 10V$	$\pm 10V$	$\pm 10V$	$\pm 10V$	$\pm 10V$
1771-NIVR	$\pm 5V (\pm 20mA)$	$\pm 5V (\pm 20mA)$	$\pm 5V (\pm 20mA)$	$\pm 5V (\pm 20mA)$	RTD	RTD	RTD	RTD
1771-NIVT	$\pm 5V (\pm 20mA)$	$\pm 5V (\pm 20mA)$	$\pm 5V (\pm 20mA)$	$\pm 5V (\pm 20mA)$	$\pm 100mV / TC$	$\pm 100mV / TC$	$\pm 100mV / TC$	$\pm 100mV / TC$
1771-NR	RTD	RTD	RTD	RTD	RTD	RTD	RTD	RTD
1771-NT1	$\pm 100mV / TC$	$\pm 100mV / TC$	$\pm 100mV / TC$	$\pm 100mV / TC$	$\pm 100mV / TC$	$\pm 100mV / TC$	$\pm 100mV / TC$	$\pm 100mV / TC$
1771-NT2	-5 / +55mV / TC	-5 / +55mV / TC	-5 / +55mV / TC	-5 / +55mV / TC	-5 / +55mV / TC	-5 / +55mV / TC	-5 / +55mV / TC	-5 / +55mV / TC
1771-NOC	0 - 25mA out	0 - 25mA out	0 - 25mA out	0 - 25mA out	0 - 25mA out	0 - 25mA out	0 - 25mA out	0 - 25mA out
1771-NOV	$\pm 10V$ out	$\pm 10V$ out	$\pm 10V$ out	$\pm 10V$ out	$\pm 10V$ out	$\pm 10V$ out	$\pm 10V$ out	$\pm 10V$ out