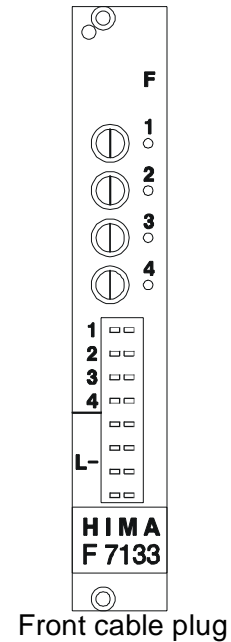
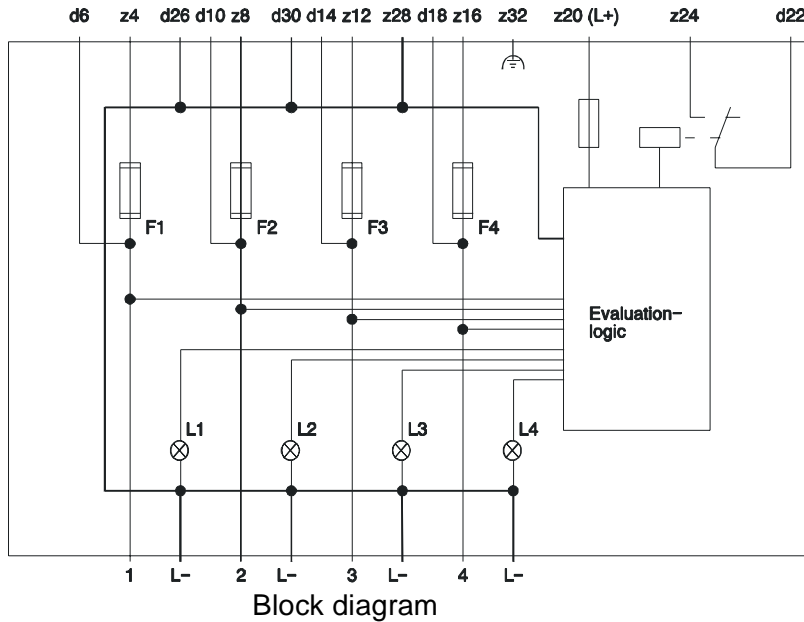




F 7133: 4-fold power distribution
with fuse monitoring and L- distribution



The module has 4 miniature fuses providing the line protection. Each fuse is associated to a LED. The fuses are monitored via an evaluation logic and the state of each circuit is announced to the related LED. The contact pins 1, 2, 3, 4 and L- on the front side serve to connect L+ resp. EL+ and L- to supply the IO modules and sensor contacts. The contacts d6, d10, d14, d18 serve as rear terminals for 24 V supply of one IO slot each. If all fuses are in order, the relay contact d22/z24 is closed. If a fuse is not equipped or faulty, the relay will be deenergized. Via the LEDs faults are announced as follows:

Supply voltage for path	Fuse	
	in order	faulty/missing
exists	LED on	LED is flashing
fails	LED off	LED is flashing

Note:

- If the module is not wired all LEDs are off.
- If the input voltage is missed in case of current pathes which are connected together no information to the state of the different fuses can be given.

Fuses	max. 4 A slow blow
Switching time	approx. 100 ms (relay)
Loadability of the relay contacts	30 V/4 A (continuous load)
Residual voltage in case of fuse tripped	0 V
Residual current in case of fuse tripped	0 mA
Residual voltage in case missing supply	max. 3 V
Residual current in case of missing supply	< 1 mA
Space requirement	4 TE
Operating data	24 V DC: 60 mA