

General Specifications

Model VF702
Control Bus Interface Card



GS 33Y06H71-31E

■ GENERAL

By installing the control bus interface card into the PCI Express slot of the PC/AT compatible computer, the computer is connected to V net.

■ FUNCTION

Interface between the PCI Express and V net

■ SPECIFICATIONS

Connection Specifications

Connection method: Connect a coaxial cable with Model YCB146, T-type connector
Transmission: 10BASE-2 compliance
Connector: BNC connector
Max. distance: 185 m (When using 10BASE-2 cable only)

PCI Express Specifications

Applicable revision:
PCI Express CEM Specification 1.0a x1, 2.5 GT/s signaling
This card can be installed in any of the PCI Express slots x1 to x16.
This card cannot be installed in a PCI slot.

Voltage

Power supply voltage: 3.3 V ± 9 %

Current Consumption

Max. 2.4 A

Weight

Approx. 0.15 kg (T-type connector excluded)

External Dimensions

22 (w) × 126.5 (H) × 193.54 (D) mm

Regulatory Compliance

For conforming standards, see "System Overview" (GS 33Q01B10-31E).

EMC Standards:
[CE Marking]
[C-Tick Marking]

■ PARTS NAME AND FUNCTIONS

RCV lamp

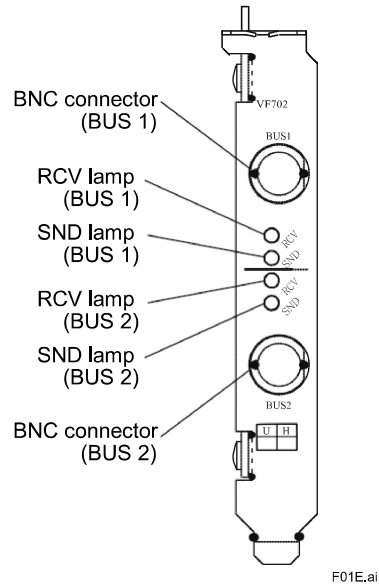
Lights when it detects signals on a control bus.

SND lamp

Lights when it sends signals to a control bus.

BNC connector

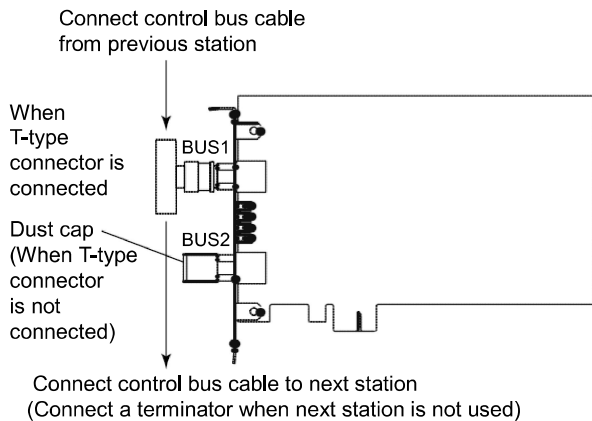
Connects a T-type connector on a control bus.



F01E.ai

Figure Control Bus Interface Card (Front)

■ T-TYPE CONNECTOR AND CONTROL BUS CABLE CONNECTION



F02E.ai