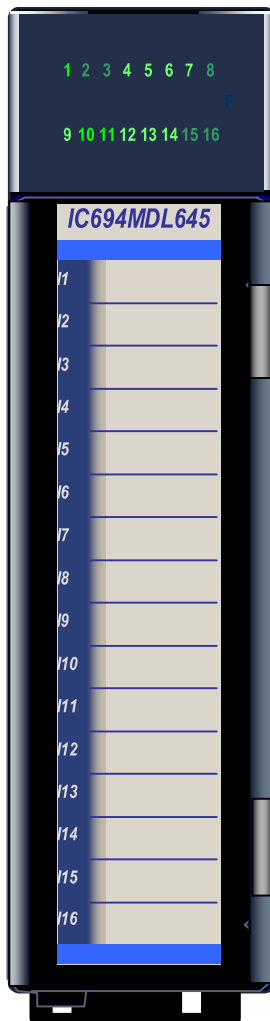


## Input Module, 24 Volt DC Pos/Neg, 16 Point: IC694MDL645



The **24 volt DC Positive/Negative Logic Input** module, IC694MDL645, provides 16 input points in one group with a common power input terminal. This input module can be wired for either positive logic or negative logic. Input characteristics are compatible with a wide range of input devices, such as pushbuttons, limit switches, and electronic proximity switches. Current into an input point results in a logic 1 in the input status table (%I). Field devices can be powered from an external supply. Depending on their requirements, some input devices can be powered from the module's +24V OUT and 0V OUT terminals.

Sixteen green LEDs indicate the ON/OFF status of points 1 through 16. The blue bands on the label show that MDL645 is a low-voltage module.

This module can be installed in any I/O slot in an RX3i system.

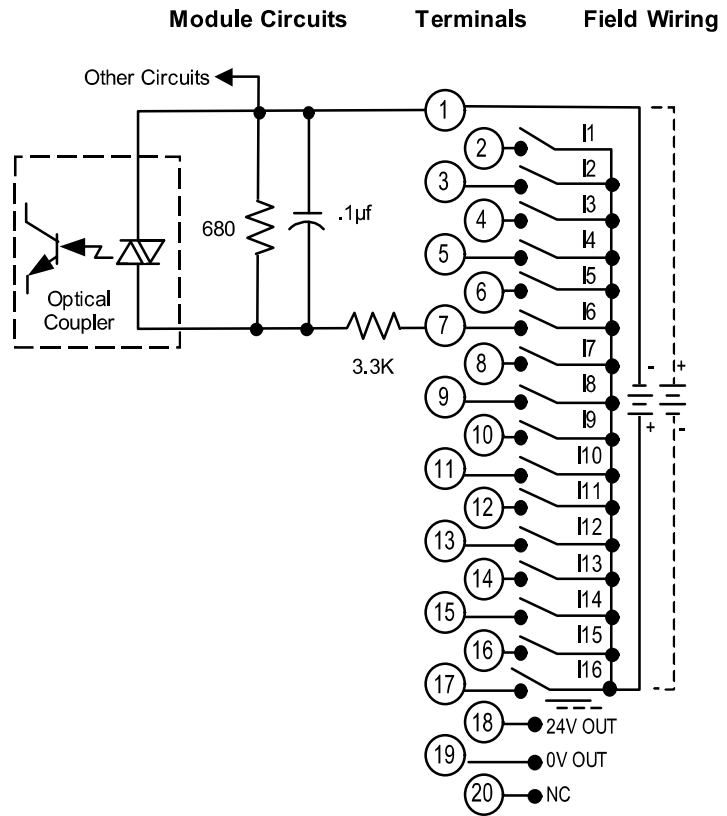
### Specifications: MDL645

<b>Rated Voltage</b>	24 volts DC
<b>Input Voltage Range</b>	0 to +30 volts DC
<b>Inputs per Module</b>	16 (one group with a single common)
<b>Isolation: Field to Backplane (optical) and to frame ground</b>	250 VAC continuous; 1500 VAC for one minute
<b>Input Current</b>	7mA (typical) at rated voltage
<b>Input Characteristics</b>	
<b>On-state Voltage</b>	11.5 to 30 volts DC
<b>Off-state Voltage</b>	0 to +5 volts DC
<b>On-state Current</b>	3.2mA minimum
<b>Off-state Current</b>	1.1mA maximum
<b>On response Time</b>	7ms typical
<b>Off response Time</b>	7ms typical
<b>Power Consumption: 5V</b>	80mA (all inputs on) from 5 volt bus on backplane
<b>Power Consumption: 24V</b>	125mA from the Isolated 24 volt backplane bus or from user supplied power

Refer to Appendix A for product standards and general specifications.

### Field Wiring: MDL645

Terminals	Connections
1	Inputs 1-16 Common
2	Input 1
3	Input 2
4	Input 3
5	Input 4
6	Input 5
7	Input 6
8	Input 7
9	Input 8
10	Input 9
11	Input 10
12	Input 11
13	Input 12
14	Input 13
15	Input 14
16	Input 15
17	Input 16
18	24VDC for input devices
19	0V for input devices
20	No connection



Note: If the 24V OUT pin is used to connect to input devices in the field, the isolation specification for this module changes to:

**Field to Backplane (optical) and to frame ground:** 50 VAC continuous; 500 VAC for 1 minute