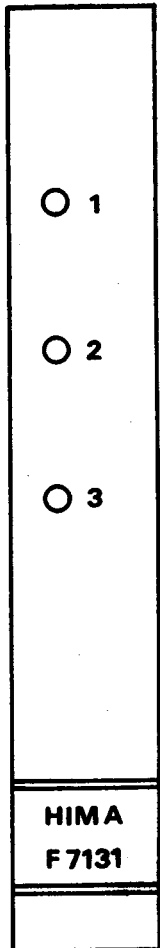
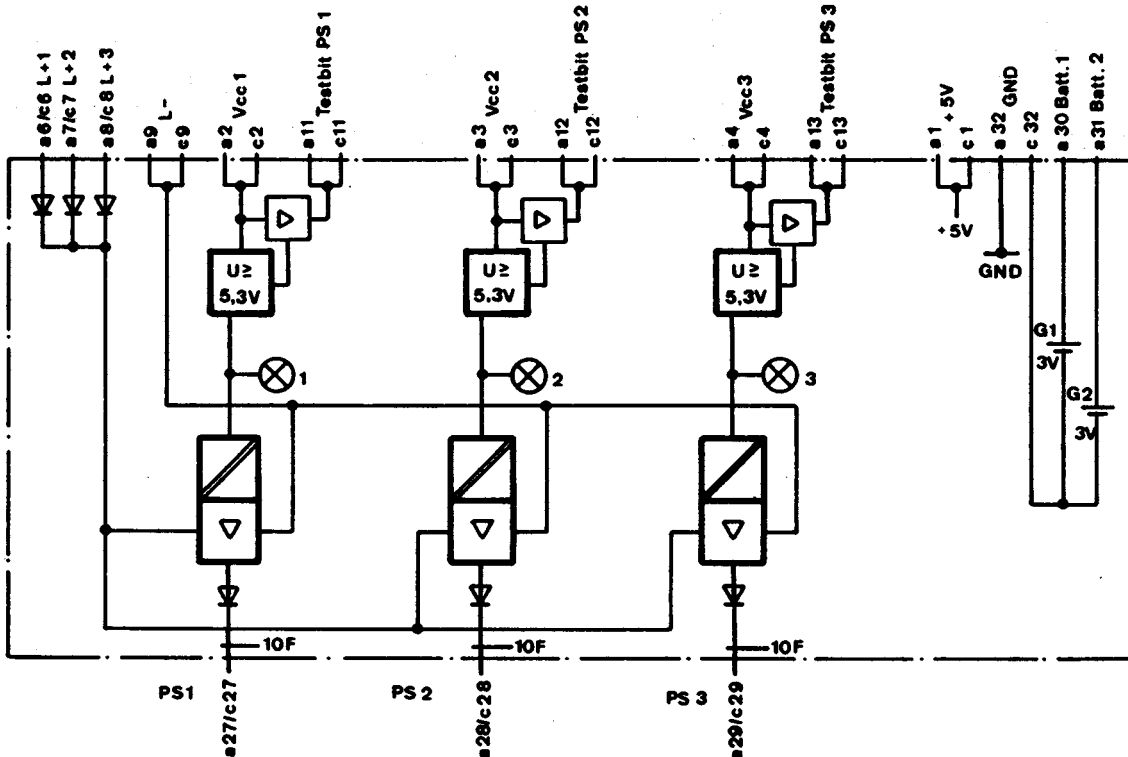




F 7131: Power supply monitoring with buffer batteries for PES H51q



The module F 7131 monitors the system voltage 5 V generated by the 3 power supplies max. as follows:

- 3 LED-displays at the front of the module
- 3 test bits for the central modules F 8650 or F 8651 for the diagnostic display and for the operation within the user's program
- For the using within the additional power supply (assembly kit B 9361) the function of the power supply modules in it could be monitored via 3 outputs of 24 V (PS1 to PS 3)

**Note:** Battery change is recommended every four years.

Type of battery: CR-1/2 AA-CB,  
HIMA part no. 44 000016.

Space requirement	4TE
Operating data	5 V DC: 25 mA
	24 V DC: 20 mA